

SUPER FAST RECTIFIERS

VOLTAGE RANGE: 200--- 600 V

CURRENT:8.0 A

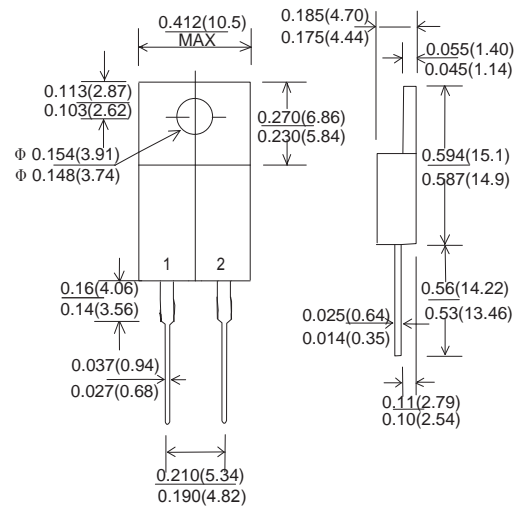
FEATURES

- Low forward voltage drop
- High current capability
- High reliability
- Low Power Loss, High Efficiency
- Ultrafast 35 and 60 Nanosecond Recovery times

MECHANICAL DATA

- Case: TO-220AC Molded plastic
- Epoxy: UL 94V-0 rate flame retardant
- Lead: Axial leads, solderable per MIL-STD-202, method 208 guranteed
- Polarity: Color band denotes cathode end
- Mounting position: Any

TO-220AC



MAXIMUM RATINGS AND CHARACTERISTICS

@ 25°C Ambient Temperature (unless otherwise noted)Single phase,half wave,60 Hz,resistive or inductive load.

For capacitive load,derate by 20%.

		MUR820	MUR840	MUR860	UNITS
Maximum recurrent peak reverse voltage	V_{RRM}	200	400	600	V
Maximum RMS voltage	V_{RMS}	140	280	420	V
Maximum DC blocking voltage	V_{DC}	200	400	600	V
Maximum Average Forward Rectified Current	$I_{F(AV)}$	8.0			A
Peak Forward Surge Current, 8.3 ms single half sine-wave superimposed on rated load (JEDEC Method)	I_{FSM}	80.0			A
Maximum Instantaneous Forward Voltage at 4.0A	V_F	1.0	1.3	1.7	V
Maximum reverse current @ rated DC blocking voltage	@ $T_A=25^{\circ}C$	10.0			μA
	@ $T_A=125^{\circ}C$	500.0			
Maximum reverse recovery time (Note3)	t_{rr}	50			ns
Typical junction capacitance (Note1)	C_J	150			pF
Typical thermal resistance (Note2)	$R_{\theta JA}$	30			$^{\circ}C/W$
Operating junction temperature range	T_j	-65 ---- + 150			$^{\circ}C$

Note: 1.Measured at 1MHz and applied reverse voltage of 4.0V D.C.

2. Leads maintained at ambient temperature at a distance of 9.5mm from the case

3.Reverse recovery condition $I_F=0.5A, I_R=1.0A, I_{rr}=0.25A$

RATINGS AND CHARACTERISTIC CURVES

FIG. 1 MAXIMUM FORWARD CURRENT DERATING CURVE

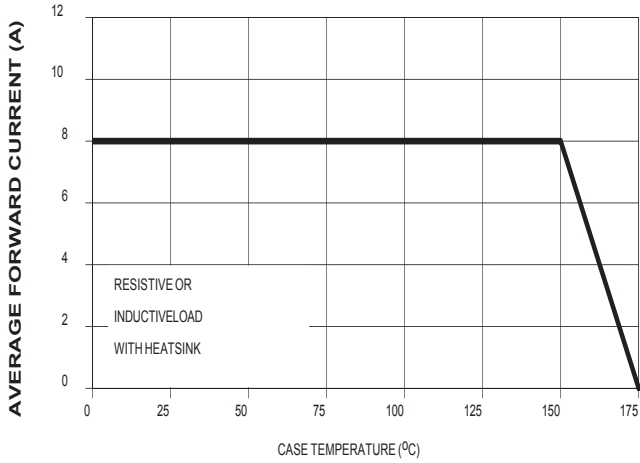


FIG. 2 MAXIMUM NON-REPETITIVE FORWARD SURGE CURRENT

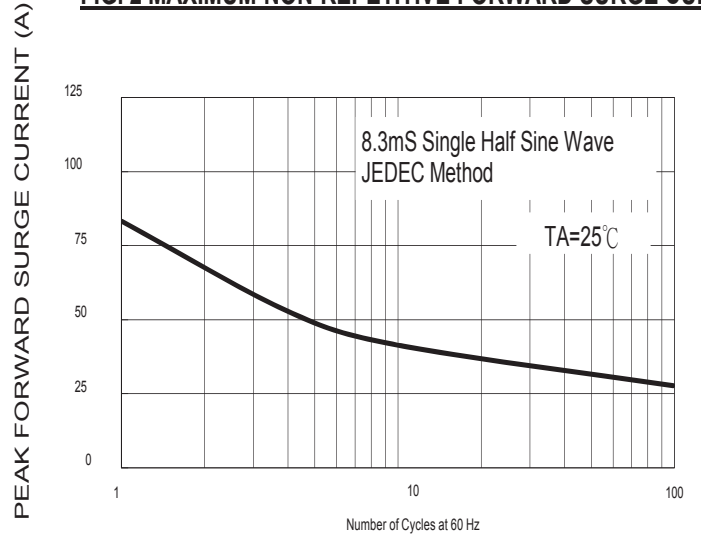


FIG. 3 TYPICAL INSTANTANEOUS FORWARD CHARACTERISTICS

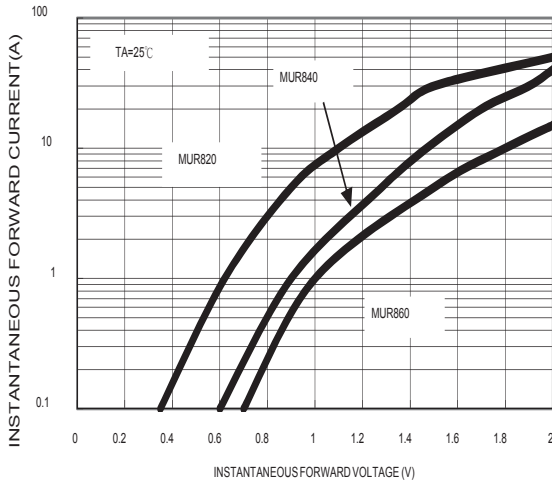


FIG. 4 TYPICAL REVERSE CHARACTERISTICS

